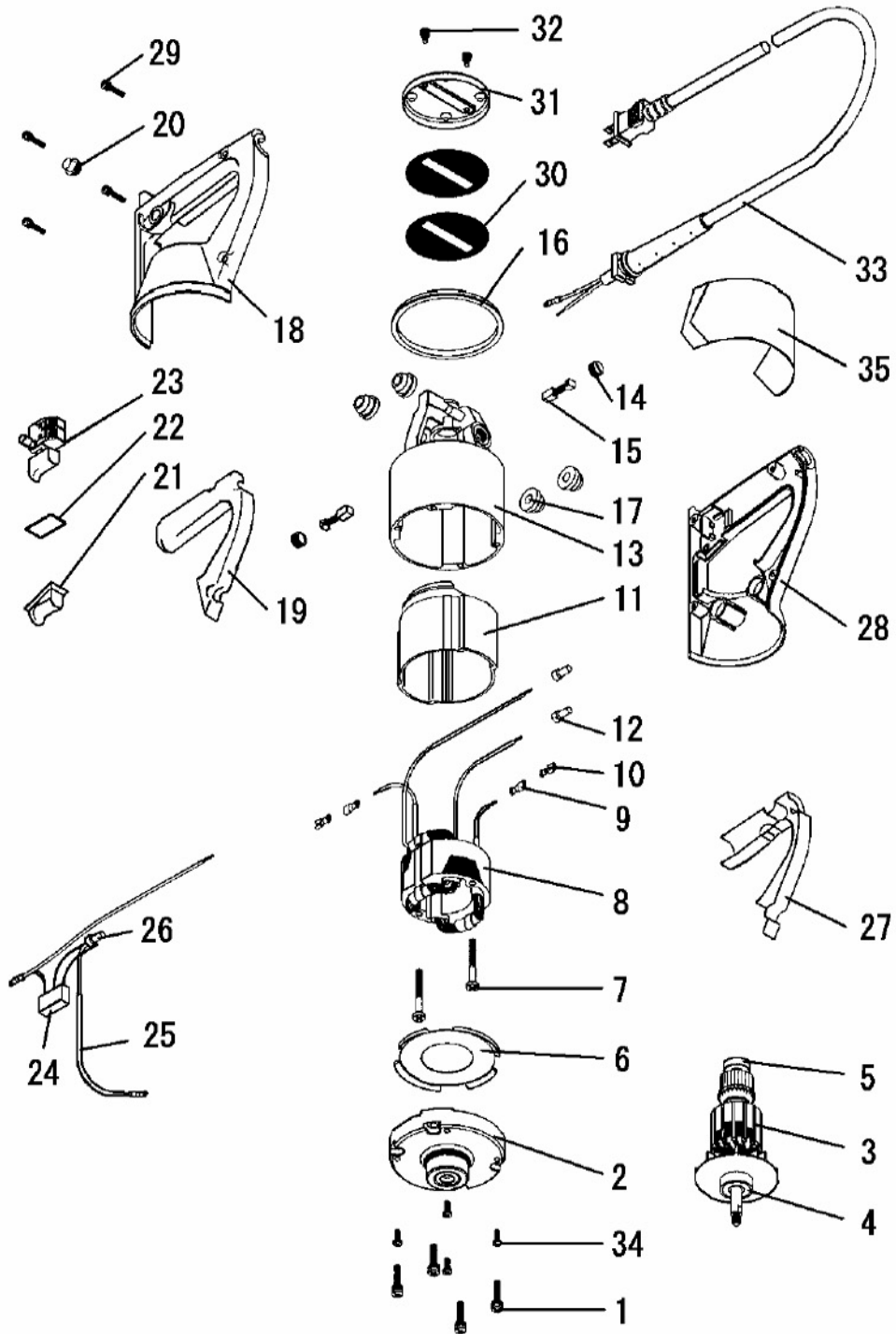


E



ISKCO, Ltd.