

EV1/36 single phase electric vibrators are built for tough applications with high operating loads and hostile environments.

Housings are cast aluminum alloy up to size 660 model and ductile iron of high mechanical strength for all other frame sizes.

Units are rated continuous duty even at 100% force output.

Heavy duty bearings for longer vibrator life!



EV1/36 Single Phase 3450rpm

PERFORMANCE DATA								
MODEL	FORCE OUTPUT	Part Number	HP	AMP DRAW 115 V	STARTUP CURRENT MULTIPLIER	CAPACITOR SIZE (115v)	Former Name	WEIGHT
	lbs		h.p.	Amps		Micro farad		lbs
EV1/36/ 95	114	POR	0.14	0.92	3.0	8		9
EV1/36/ 95 XL	167	POR	0.14	0.92	3.0	8		10
EV1/36/120	167	136000160	0.20	1.35	3.2	25	EVS1-160	11
EV1/36/120 XL	208	POR	0.20	1.35	3.2	25		12
EV1/36/250	297	136000300	0.22	1.45	3.0	25	EVS1-300	12
EV1/36/400	398	136000400	0.24	1.48	3.0	25	EVS1-400	13
EV1/36/660	653	136000650	0.36	2.8	3.7	50	EVS1-650	18
EV1/36/1050	1511	136001500	0.60	4.5	4.6	40	EVS1-1500	42
EV1/36/1650	1815	136001800	0.87	6.3	4.0	80	EVS1-1800	61

FEATURES

The eccentric weights are easily adjustable so that force output can be varied on all models.

Low noise:
When mounted properly to a rigid structure, noise typically never exceeds 70 dBA.

Low maintenance:
No lubrication - all models come with sealed bearings.

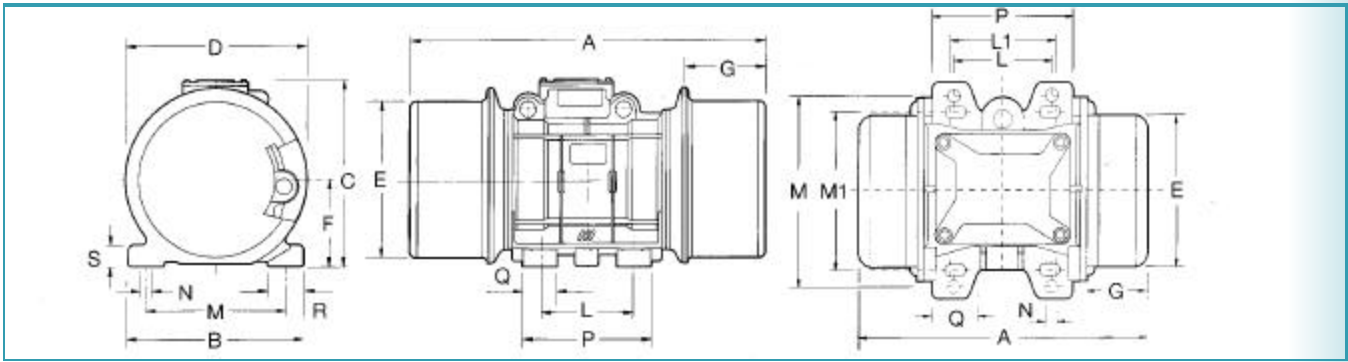
Lifting and safety eyebolts

Steel endcaps. Unlike aluminum endcaps, steel endcaps will not easily crack or leak.

Multiple bolt hole patterns to make it interchangeable with most other brands.

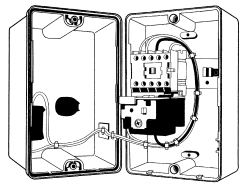
Quality control. Both electrical and mechanical components are subjected to strict tests. After assembly each electric vibrator is subject to extensive electrical and dynamic tests.





DIMENSIONS

MODEL	A	B	C	D	E	F	G	L	L1	M	M1	N	P	Q	R	S	BOLT HOLE NBR
EV1/36/95	7.65	4.92	4.80	3.42	3.23	1.81	1.38	2.44	-	3.86-4.17	-	0.35	3.89	1.18	1.22	0.32	4
EV1/36/95 XL	7.65	4.92	4.80	3.42	3.23	1.81	1.38	2.44	-	3.86-4.17	-	0.35	3.89	1.18	1.22	0.32	4
EV1/36/120	8.34	5.90	5.70	4.45	4.13	2.36	1.81	2.75	2.44-2.91	5.12	4.17	0.35	3.9	1.18	1.37	0.39	4
EV1/36/120 XL	8.34	5.90	5.70	4.45	4.13	2.36	1.81	2.75	2.44-2.91	5.12	4.17	0.35	3.9	1.18	1.37	0.39	4
EV1/36/250	8.34	5.90	5.70	4.45	4.13	2.36	1.81	2.75	2.44-2.91	5.12	4.17	0.35	3.9	1.18	1.37	0.39	4
EV1/36/400	8.34	5.90	5.70	4.45	4.13	2.36	1.81	2.75	2.44-2.91	5.12	4.17	0.35	3.9	1.18	1.37	0.39	4
EV1/36/660	10.24	6.54	7.28	6.30	5.12	2.95	1.97	3.54	3.54	4.92	5.51	0.51	4.72	1.18	1.57	0.47	4
EV1/36/1050	11.34	7.48	8.07	7.36	5.94	3.35	2.13	4.13	-	5.51	-	0.51	5.35	1.30	1.57	0.63	4
EV1/36/1650	13.98	8.27	9.29	8.50	7.13	3.98	2.80	4.72	-	6.70	-	0.67	6.30	1.57	1.69	0.79	4



CONTROL BOX

Electric vibrators require overload protection following National Electric Code specifications. ISKCO offers, as an option, a control box with ON/OFF switch and RESET push button.



All models come standard with cable and capacitor

APPLICATION INDUSTRIES

BAKERY PRODUCTS CANNING AND PRESERVING CHEMICALS REFRACTORY
 CONCRETE PRODUCTS PRECAST AND PRESTRESSED MILK FEED MILL AND GRAIN
 WOOD AND LUMBER PULP AND PAPER PHARMACEUTICAL FOUNDRIES STEEL MILLS



ISKCO, Ltd.
 9627 Rowlett Dr.
 N. Little Rock, AR 72113
 Ph: 501-812-0220
 www.iskco.com

