

*EV3/36 series rotary electric vibrators are "one piece" motor housing design. The housings are aluminum alloy and ductile iron castings for maximum strength in all frame sizes.*

*The combination of a drive shaft treated to withstand high stress and the specifically designed oversized bearings enable the units to perform continuous duty even at 100% force output.*



Available Direct interchange to **BULLDOG & 18-120-P**

## EV3/36 2-Pole 3450rpm 3 Phase / Dual Voltage

| PERFORMANCE DATA           |              |             |      |                |                |                            |             |        |
|----------------------------|--------------|-------------|------|----------------|----------------|----------------------------|-------------|--------|
| MODEL                      | FORCE OUTPUT | Part Number | HP   | AMP DRAW 460 V | AMP DRAW 230 V | STARTUP CURRENT MULTIPLIER | Former Name | WEIGHT |
|                            | lbs          |             | h.p. | Amps           | Amps           |                            |             | lbs    |
| EV3/36/95                  | 114          | POR         | 0.15 | 0.20           | 0.40           | 3.0                        |             | 9      |
| EV3/36/95 XL               | 167          | POR         | 0.15 | 0.20           | 0.40           | 3.0                        |             | 9      |
| EV3/36/120                 | 167          | 336000150   | 0.22 | 0.28           | 0.56           | 3.2                        | EVS2-150    | 10     |
| EV3/36/120 XL              | 208          | POR         | 0.22 | 0.28           | 0.56           | 3.2                        |             | 11     |
| EV3/36/250                 | 297          | 336000300   | 0.25 | 0.32           | 0.64           | 3.0                        | EVS2-300    | 11     |
| EV3/36/400                 | 398          | 336000400   | 0.28 | 0.34           | 0.68           | 3.0                        | EVS2-400    | 12     |
| EV3/36/660                 | 653          | 336000650   | 0.34 | 0.60           | 1.2            | 3.7                        | EVS2-650    | 18     |
| EV3/36/1050                | 1511         | 336001000   | 0.72 | 0.85           | 1.7            | 4.6                        | EVS2-1000   | 42     |
| EV3/36/1650                | 1815         | 336001800   | 0.85 | 1.0            | 2.0            | 4.0                        | EVS2-1800   | 61     |
| EV3/36/2200                | 2420         | 336002400   | 1.00 | 1.2            | 2.4            | 5.1                        | EVS2-2400   | 65     |
| <b>BULLDOG</b> EV3/36/2800 | 3200         | 025223350   | 1.75 | 1.8            | 3.6            | 4.8                        | EVL-3500 2P | 76     |
| EV3/36/3000                | 3507         | 336003500   | 2.01 | 2.1            | 4.2            | 6.0                        | EVS2-3500   | 97     |
| EV3/36/4000                | 4400         | 336004400   | 2.7  | 2.9            | 5.8            | 5.5                        | EVS2-4400   | 101    |
| EV3/36/5000                | 5500         | POR         | 3.2  | 3.5            | 7.0            | 5.4                        |             | 161    |
| EV3/36/7000                | 7040         | POR         | 5.4  | 5.6            | 11.2           | 5.2                        |             | 218    |
| EV3/36/10000               | 10560        | POR         | 6.7  | 7.1            | 14.2           | 4.9                        |             | 299    |
| EV3/36/12000               | 13200        | POR         | 11   | 12             | 24             | 5.4                        |             | 425    |
| EV3/36/20000               | 19570        | POR         | 13   | 13.5           | 27             | 4.8                        |             | 517    |

### TYPICAL APPLICATIONS

#### 100-300 Lbs FORCE OUTPUT

Weigh batchers  
Powder hoppers  
Filling machines  
Feeding tracks

#### 400-1000 lbs FORCE OUTPUT

Chutes  
Conveyors  
Tables

#### 1000-2000 lbs FORCE OUTPUT

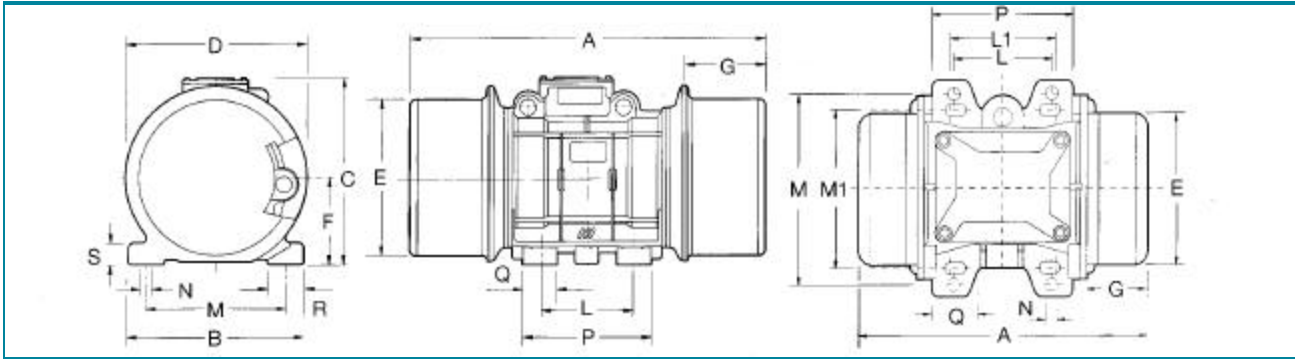
Precast forms  
Concrete tables  
Railroad cars shakers  
Aggregate and stone bins

#### 3000+ lbs FORCE OUTPUT

Difficult products like  
cinder, ore, lime, coal or clay



# D I M E N S I O N S

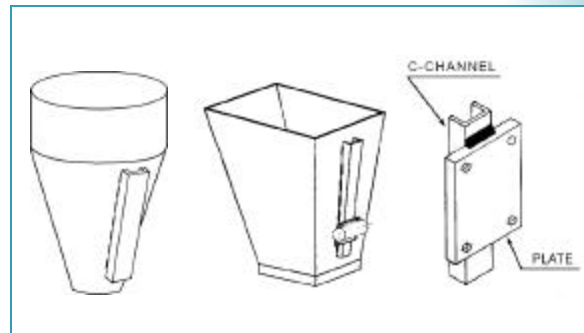


## DIMENSIONS

| MODEL         | A     | B     | C     | D     | E     | F    | G    | L    | L1        | M         | M1   | N    | P     | Q    | R    | S    | BOLT HOLE NBR |
|---------------|-------|-------|-------|-------|-------|------|------|------|-----------|-----------|------|------|-------|------|------|------|---------------|
| EV3/36/95     | 7.65  | 4.92  | 4.80  | 3.42  | 3.23  | 1.81 | 1.38 | 2.44 | -         | 3.86-4.17 | -    | 0.35 | 3.89  | 1.18 | 1.22 | 0.32 | 4             |
| EV3/36/95 XL  | 7.65  | 4.92  | 4.80  | 3.42  | 3.23  | 1.81 | 1.38 | 2.44 | -         | 3.86-4.17 | -    | 0.35 | 3.89  | 1.18 | 1.22 | 0.32 | 4             |
| EV3/36/120    | 8.34  | 5.90  | 5.70  | 4.45  | 4.13  | 2.36 | 1.81 | 2.75 | 2.44-2.91 | 5.12      | 4.17 | 0.35 | 3.9   | 1.18 | 1.37 | 0.39 | 4             |
| EV3/36/120 XL | 8.34  | 5.90  | 5.70  | 4.45  | 4.13  | 2.36 | 1.81 | 2.75 | 2.44-2.91 | 5.12      | 4.17 | 0.35 | 3.9   | 1.18 | 1.37 | 0.39 | 4             |
| EV3/36/250    | 8.34  | 5.90  | 5.70  | 4.45  | 4.13  | 2.36 | 1.81 | 2.75 | 2.44-2.91 | 5.12      | 4.17 | 0.35 | 3.9   | 1.18 | 1.37 | 0.39 | 4             |
| EV3/36/400    | 8.34  | 5.90  | 5.70  | 4.45  | 4.13  | 2.36 | 1.81 | 2.75 | 2.44-2.91 | 5.12      | 4.17 | 0.35 | 3.9   | 1.18 | 1.37 | 0.39 | 4             |
| EV3/36/660    | 10.24 | 6.54  | 7.28  | 6.30  | 5.12  | 2.95 | 1.97 | 3.54 | 3.54      | 4.92      | 5.51 | 0.51 | 4.72  | 1.18 | 1.57 | 0.47 | 4             |
| EV3/36/1050   | 11.34 | 7.48  | 8.07  | 7.36  | 5.94  | 3.35 | 2.13 | 4.13 |           | 5.51      |      | 0.51 | 5.35  | 1.30 | 1.57 | 0.63 | 4             |
| EV3/36/1650   | 13.98 | 8.27  | 9.29  | 8.50  | 7.13  | 3.98 | 2.80 | 4.72 |           | 6.70      |      | 0.67 | 6.30  | 1.57 | 1.69 | 0.79 | 4             |
| EV3/36/2200   | 13.98 | 8.27  | 9.29  | 8.50  | 7.13  | 3.98 | 2.80 | 4.72 |           | 6.70      |      | 0.67 | 6.30  | 1.57 | 1.69 | 0.79 | 4             |
| EV3/36/2800   | 14.75 | 9.28  | 9.29  | 8.50  | 7.13  | 3.98 | 2.80 | 3.94 |           | 7.87      |      | 0.67 | 6.30  | 1.57 | 1.69 | 0.95 | 4             |
| EV3/36/3000   | 17.56 | 9.65  | 10.24 | 10.16 | 8.62  | 4.80 | 3.39 | 5.51 |           | 7.48      |      | 0.67 | 7.48  | 1.57 | 1.77 | 0.98 | 4             |
| EV3/36/4000   | 17.56 | 9.65  | 10.24 | 10.16 | 8.62  | 4.80 | 3.39 | 5.51 |           | 7.48      |      | 0.67 | 7.48  | 1.57 | 1.77 | 0.98 | 4             |
| EV3/36/5000   | 20.47 | 10.83 | 12.20 | 10.94 | 9.41  | 5.20 | 4.17 | 6.10 |           | 8.86      |      | 0.83 | 8.07  | 1.97 | 2.17 | 1.18 | 4             |
| EV3/36/7000   | 21.26 | 12.80 | 13.54 | 12.80 | 11.14 | 6.18 | 4.02 | 6.14 |           | 10.08     |      | 0.91 | 8.66  | 2.17 | 2.36 | 1.38 | 4             |
| EV3/36/10000  | 23.23 | 13.39 | 14.72 | 13.98 | 12.17 | 6.77 | 4.17 | 7.09 |           | 11.02     |      | 0.98 | 9.45  | 2.36 | 2.56 | 1.57 | 4             |
| EV3/36/12000  | 25.12 | 15.35 | 16.26 | 15.67 | 13.66 | 7.52 | 4.13 | 7.87 |           | 12.6      |      | 1.11 | 11.02 | 2.95 | 3.07 | 1.77 | 4             |
| EV3/36/20000  | 25.67 | 15.35 | 16.26 | 15.67 | 13.66 | 6.52 | 4.13 | 7.87 |           | 12.6      |      | 1.11 | 11.02 | 2.95 | 3.07 | 1.77 | 4             |

## SIZING AND MOUNTING

| WEIGHT OF THE MATERIAL ON THE BIN'S CONE (lbs) | FORCE OUTPUT NEEDED (lbs) | MINIMUM WALL THICKNESS | MINIMUM C-CHANNEL SIZE | MINIMUM PLATE THICKNESS |
|--|---------------------------|------------------------|------------------------|-------------------------|
| 1000   | 100                       | 12 gauge               | 3"                     | 1/4"                    |
| 2000   | 200                       | 12 gauge               | 3"                     | 3/8"                    |
| 3000   | 300                       | 11 gauge               | 4"                     | 1/2"                    |
| 5000   | 500                       | 10 gauge               | 4"                     | 1/2"                    |
| 10000  | 1000                      | 3/16"                  | 5"                     | 5/8"                    |
| 50000  | 5000                      | 1/2"                   | 8"                     | 1"                      |



**ISKCO, Ltd.**  
 9627 Rowlett Dr.  
 N. Little Rock, AR 72113  
 Ph: 501-812-0220  
[www.iskco.com](http://www.iskco.com)

