

*EV3/18 Series electric vibrator line was developed for the most demanding industrial applications.*

*State of the art design and construction to withstand serious operating loads.*

*Housings are ductile cast iron for high mechanical strength.*



## EV3/18 4-Pole **1800rpm** 3 Phase / Dual Voltage

PERFORMANCE DATA								
MODEL	FORCE OUTPUT	Part Number	HP	AMP DRAW 460 V	AMP DRAW 230 V	STARTUP CURRENT MULTIPLIER	Former Name	WEIGHT
	lbs		h.p.	Amps	Amps			lbs
EV3/18/150	174	318000150	0.14	0.21	0.42	1.9	EVS4-150	12
EV3/18/450	448	318000450	0.23	0.37	0.74	3.2	EVS4-450	24
EV3/18/900	908	318000900	0.44	0.66	1.32	3.5	EVS4-900	46
EV3/18/1200	1280	318001200	0.48	0.71	1.42	3.3	EVS4-1200	62
EV3/18/1500	1522	318001500	0.70	0.90	1.8	4.3	EVS4-1500	72
EV3/18/2200	2246	318002200	0.91	1.15	2.3	4.7	EVS4-2200	95
EV3/18/3500	3522	318003500	1.47	1.5	3.0	4.4	EVS4-3500	106
EV3/18/4600	4598	POR	1.68	2.0	4.0	4.7		119
EV3/18/6000	5984	318005000	2.41	3.1	6.2	6.1	EVS4-6000	172
EV3/18/8000	8342	POR	3.28	4.7	9.4	6.3		240
EV3/18/10000	10932	POR	4.42	4.9	9.8	4.6		304
EV3/18/15000	14487	POR	8.04	9.5	19	6.1		453
EV3/18/17500	17681	POR	10.7	11.5	23	5.6		515
EV3/18/18000	17681	POR	10.7	11.5	23	5.6		647
EV3/18/20000	19769	POR	11.4	12	24	5.3		680
EV3/18/25000	24160	POR	14.7	16	32	6.7		814

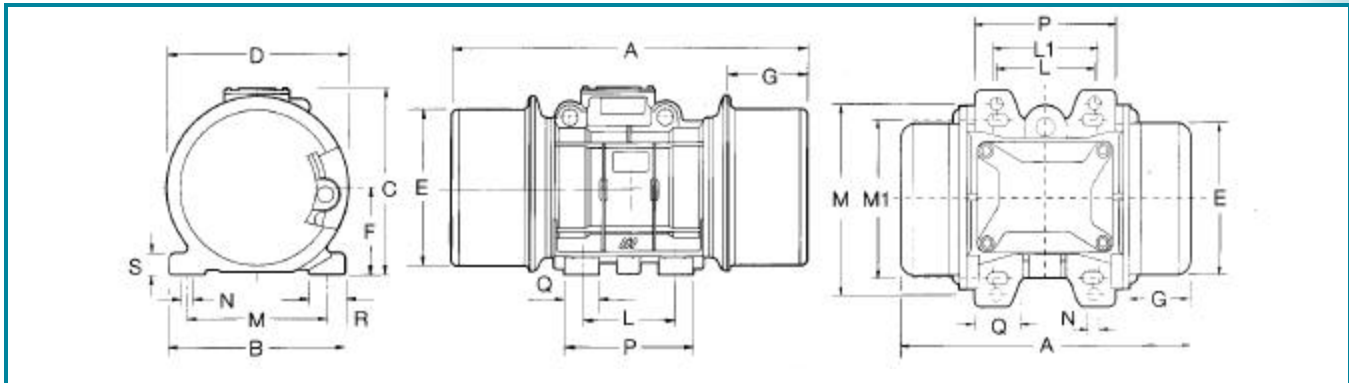
## TYPICAL APPLICATIONS



**BIN ACTIVATORS  
VIBRATORY SCREENS  
BULK BAG UNLOADERS**

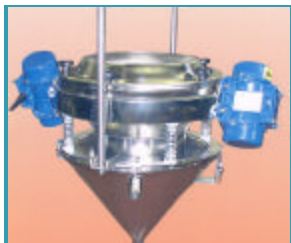


# D I M E N S I O N S



## DIMENSIONS

MODEL	A	B	C	D	E	F	G	L	L <sub>1</sub>	M	M <sub>1</sub>	N	P	Q	R	S	BOLT HOLE NBR
EV3/18/150	9.06	5.91	5.71	5.12	4.13	2.36	2.17	2.76	2.44-2.91	5.12	4.17	0.35	3.9	1.18	1.38	0.39	4
EV3/18/450	11.73	6.54	7.28	6.30	5.12	2.95	2.72	3.54	3.54	4.92	5.51	0.51	4.72	1.18	1.57	0.47	4
EV3/18/900	13.78	7.48	8.07	7.36	5.94	3.35	3.35	4.13		5.51		0.51	5.35	1.30	1.57	0.63	4
EV3/18/1200	13.78	7.48	8.07	7.36	5.94	3.35	3.35	4.13		5.51		0.51	5.35	1.30	1.57	0.63	4
EV3/18/1500	13.98	8.27	9.29	8.50	7.13	3.98	2.80	4.72		6.70		0.67	6.30	1.57	1.69	0.79	4
EV3/18/2200	16.34	8.27	9.29	8.50	7.13	3.98	3.98	4.72		6.70		0.67	6.30	1.57	1.69	0.79	4
EV3/18/3500	17.56	9.65	10.24	10.16	8.62	4.80	3.39	5.51		7.48		0.67	7.48	1.57	1.77	0.98	4
EV3/18/4600	21.42	9.65	10.24	10.16	8.62	4.80	4.21	5.51		7.48		0.67	7.48	1.57	1.77	0.98	4
EV3/18/6000	20.47	10.83	12.20	10.94	9.41	5.20	4.17	6.10		8.86		0.83	8.07	1.97	2.17	1.18	4
EV3/18/8000	21.26	12.80	13.54	12.80	11.14	6.18	4.02	6.14		10.08		0.91	8.66	2.17	2.36	1.38	4
EV3/18/10000	23.23	13.39	14.72	13.98	12.17	6.77	4.17	7.09		11.02		0.98	9.45	2.36	2.56	1.57	4
EV3/18/15000	25.12	15.35	16.26	15.67	13.66	7.52	4.13	7.87		12.6		1.10	11.02	2.95	3.07	1.77	4
EV3/18/17500	33.31	15.35	16.26	15.67	13.66	7.52	7.95	7.87		12.6		1.10	11.02	2.95	3.07	1.77	4
EV3/18/18000	27.80	17.91	17.64	18.11	16.18	8.86	4.65	10.24		14.76		1.26	13.39	3.39	3.27	1.97	6
EV3/18/20000	27.8	17.91	17.64	18.11	16.18	8.86	4.65	10.24		14.76		1.26	13.39	3.39	3.27	1.97	6
EV3/18/25000	29.06	17.91	17.64	18.11	16.18	8.86	4.65	10.24		14.76		1.26	13.39	3.39	3.27	1.97	6



ISKCO, Ltd.  
 9627 Rowlett Dr.  
 N. Little Rock, AR 72113  
 Ph: 501-812-0220  
[www.iskco.com](http://www.iskco.com)

