

## SPECIFICATIONS AND DIMENSIONS

### HKM-LF (S) specification (mm)

Model	Input (W)	Voltage (V)	Current (A)	Cord Switch
HKM30LF	300	48	8.0	No
HKM30LFS				Yes
HKM55LF	550		12.5	No
HKM55LFS				Yes
HKM75LF	750		17.0	No
HKM75LFS				Yes

Model	Frequency (Hz)	Centifugal Force (kN)	Weight (kg)
HKM30LF	50-120	2.8	10.0
HKM30LFS			11.0
HKM55LF		8.8	16.5
HKM55LFS			17.5
HKM75LF		11.8	21.3
HKM75LFS			22.3

\* A cable (1.7kg) and a cord switch (0.9kg) are also included in weight.

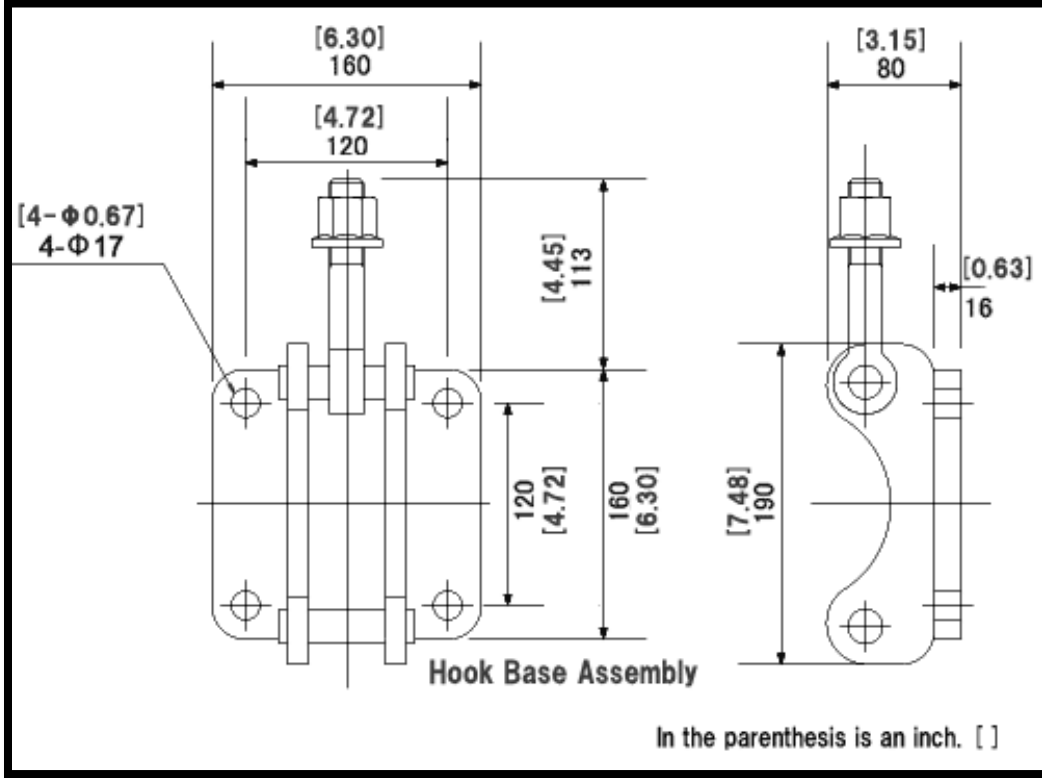
### HKM-LF (S) specification (inch)

Model	Input (W)	Voltage (V)	Current (A)	Cord Switch
HKM30LF	300	48	8.0	No
HKM30LFS				Yes
HKM55LF	550		12.5	No
HKM55LFS				Yes
HKM75LF	750		17.0	No
HKM75LFS				Yes

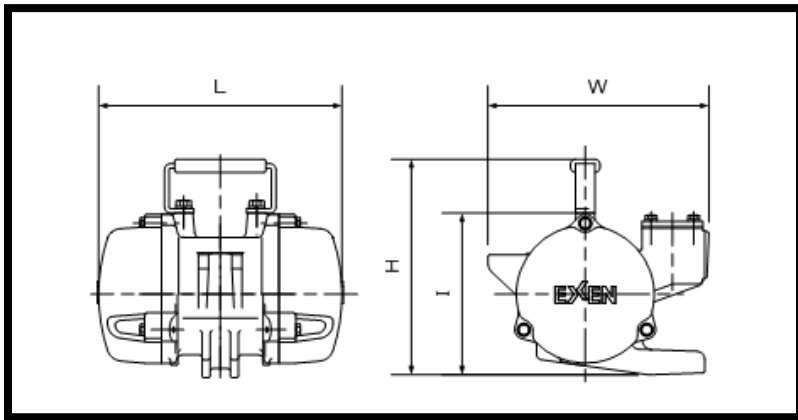
Model	Frequency (Hz)	Centifugal Force (lb)	Weight (lb)
HKM30LF	50-120	629	22.0
HKM30LFS			24.2
HKM55LF		1,978	36.4
HKM55LFS			38.6
HKM75LF		2,653	46.9
HKM75LFS			49.1

\* A cable (1.7kg) and a cord switch (0.9kg) are also included in weight.

Hook Base Assembly dimensional drawing



Dimensional drawing



Dimensional chart (mm)

Model	H	I	L	W
HKM30LF(S)	208	154	230	190
HKM55LF(S)	213	159	242	218
HKM75LF(S)	218	157	307	213

Dimensional chart (inch)

Model	H	I	L	W
HKM30LF(S)	8.2	6.1	9.1	7.5
HKM55LF(S)	8.4	6.3	9.5	8.6
HKM75LF(S)	8.6	6.2	12.1	8.4