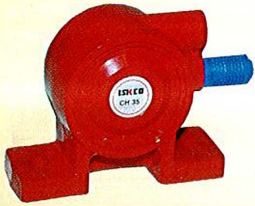


CAST IRON Series

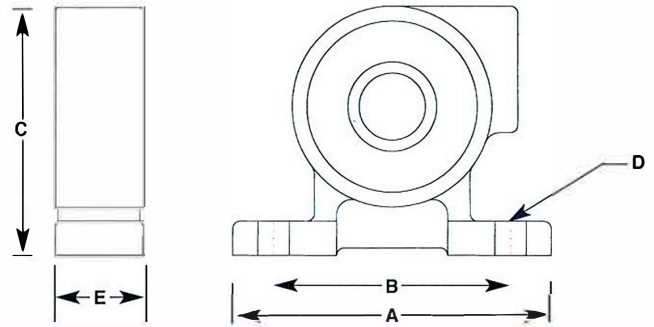
Vibrator Specifications

ISKCO Cast iron series pneumatic ball vibrators are an economical solution to keep materials flowing in bins, hoppers, chutes and other areas where the material has a tendency to hang up. These units are CNC machined ductile iron housing, high grade chrome steel ball, hardened steel raceways enclosed with powdered metal side caps, fastened with high grade retaining rings. The quality of the ISKCO units allows them to start easily and withstand the effects of dirt, moisture and temperature changes. They are available in many different sizes and styles to provide an economical solution for most any application.



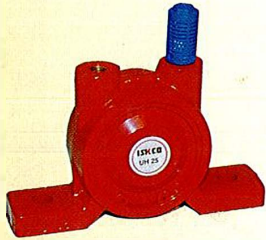
• CH Model

CH-19 P.N. 082058192
 CH-25 P.N. 082058252
 CH-35 P.N. 082058352



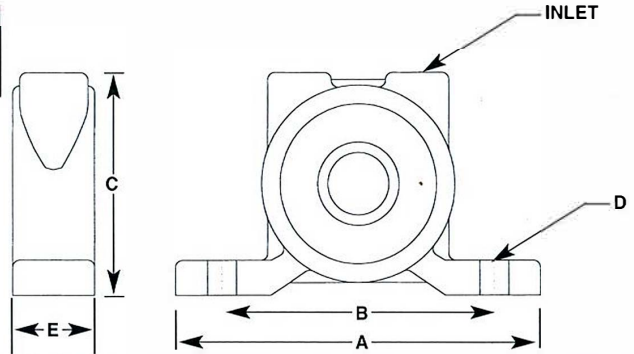
Model	20 psi			40 psi			60 psi			80 psi			Db at 60 psi
	Force Lb.	VPM	CFM	Force Lb.	VPM	CFM	Force Lb.	VPM	CFM	Force Lb.	VPM	CFM	
CH-19	120	11000	3	195	13000	7	270	16000	11	340	18000	15	87
CH-25	180	7000	6	285	10000	9	380	11500	13	420	13000	16	82
CH-35	320	7000	6	520	9000	12	685	10000	17	800	11000	24	85

Model	A	B	C	D	E	Inlet	Wt. Lb.
CH-19	5 1/4	4	3 7/16	7/16	1 1/2	1/4 NPT	2.5
CH-25	5 3/8	4	4 1/4	1/2	2	1/4 NPT	4.5
CH-35	5 3/8	4	4 1/4	1/2	2	1/4 NPT	4.5



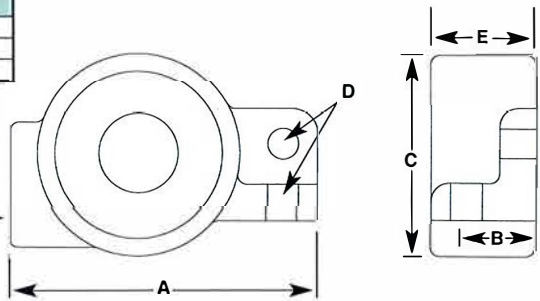
• UH Model

UH-13 P.N. 082056132
 UH-19 P.N. 082056192
 UH-25 P.N. 082056252



Model	20 psi			40 psi			60 psi			80 psi			Db at 60 psi
	Force Lb.	VPM	CFM	Force Lb.	VPM	CFM	Force Lb.	VPM	CFM	Force Lb.	VPM	CFM	
UH-13	35	12500	3	55	15500	5	95	19500	7	110	21000	8	80
UH-19	110	11000	4	175	13000	7	260	16000	10	300	17000	12	87
UH-25	175	7500	6	290	9500	10	380	11000	13	410	12500	15	82

Model	A	B	C	D	E	Inlet	Wt. Lb.
UH-13	5 1/4	4	2 5/8	7/16	1 3/16	1/8 NPT	1.5
UH-19	5	4	3 7/16	7/16	1 1/2	1/4 NPT	2.5
UH-25	6 5/8	5	4	1/2	1 3/4	1/4 NPT	4



• BH Model

BH-10 P.N. 082059102
 BH-19 P.N. 082059192

Model	20 psi			40 psi			60 psi			80 psi			Db at 60 psi
	Force Lb.	VPM	CFM	Force Lb.	VPM	CFM	Force Lb.	VPM	CFM	Force Lb.	VPM	CFM	
BH-10	25	16500	2	38	21000	4	55	25000	5	60	26000	8	83
BH-19	120	11000	3	195	13000	7	270	16000	11	340	18000	15	87

Model	A	B	C	D	E	Inlet	Wt. Lb.
BH-10	3 1/16	3/4	2	3/8	1 1/4	1/8 NPT	1
BH-19	4 3/8	1 1/16	2 7/8	7/16	1 11/16	1/4 NPT	2.5